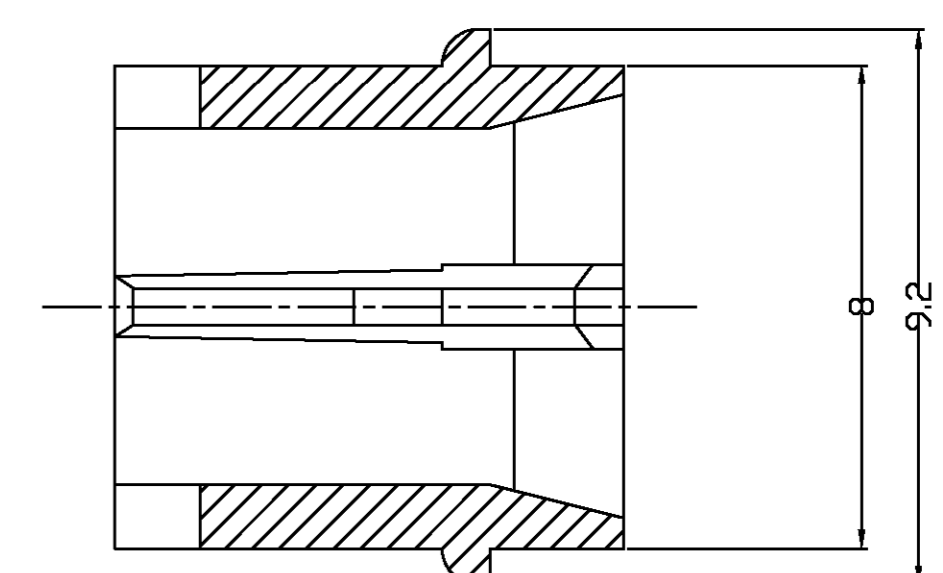
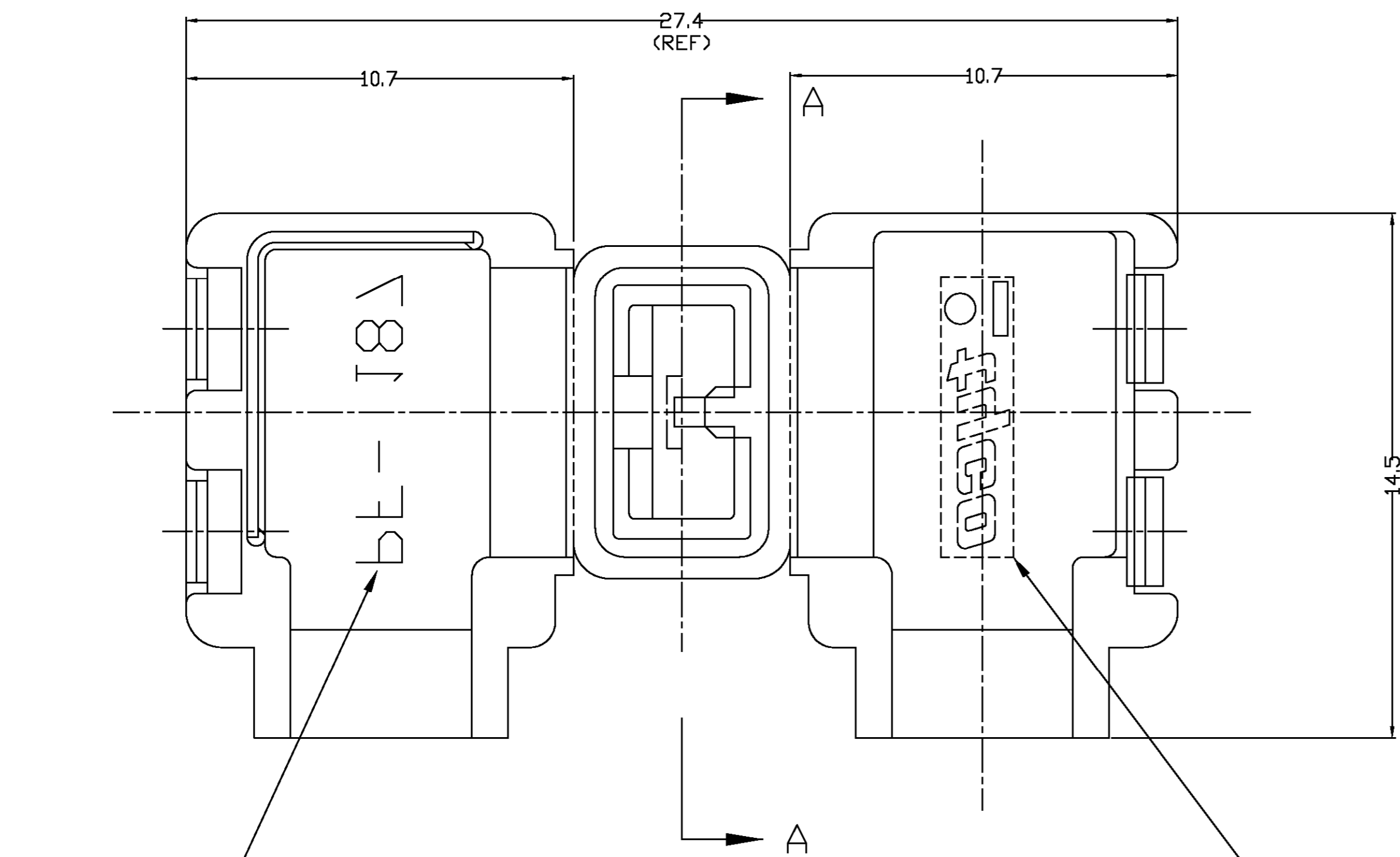


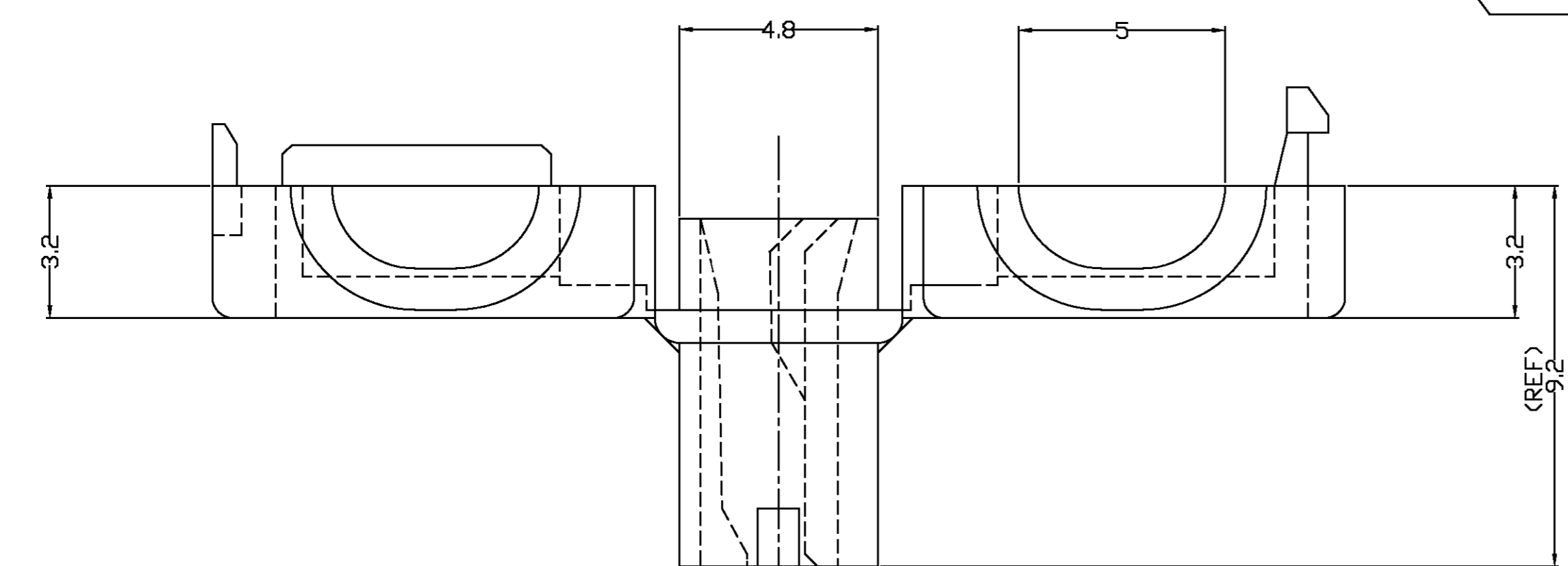
LOC	DIST	REVISIONS					
DS		P	LTR	DESCRIPTION	DATE	DWN	APVD
		B		REVISED(FC00-0018-03)	6/FEB/'03	BH	CS



SECTION A-A

PRODUCT MARK

TRADE MARK



NOTE
 1.APPLICABLE CONTACT P/N : 175019-1

368601-1	6/6 NYLON	NATURAL	①
PART NO.	MATERIAL	COLOR	ITEM NO

<small>THIS DRAWING IS A CONTROLLED DOCUMENT FOR TYCO ELECTRONICS CORPORATION. IT IS SUBJECT TO CHANGE AND THE CONTROLLING ENGINEERING ORGANIZATION SHOULD BE CONTACTED FOR THE LATEST REVISION.</small>		INM : BH CHD CHK : BW KANG APVD : CS LEE PRODUCT SPEC APPLICATION SPEC WEIGHT		AMP KOREA, kyungsan, korea	
DIMENSIONS: MM TOLERANCES UNLESS OTHERWISE SPECIFIED: 0 <XX<10 ± 0.2 10<XX<30 ± 0.25 30<XX ± 0.3 ANGLES ± 3°		NAME 187 FLAG Pos.LOCK EX-II Rec.HSG		SIZE CAGE CODE DRAWING NO RESTRICTED TO A200779 368601	
3rd ANGLE PROJECTION MATERIAL FINISH SEE TABLEE		SCALE 8/1 SHEET 1 OF 1 REV B			